

independence within reach



communication



reading

Move it !
because
you can ...



laptop computers



and more!



The Mount'n Mover gives independent access in a mobile society.

Move it!

Mount'n Mover can move out of the way when you don't need it.

Turn it!



turn it to reach something else



Tilt it!

for safer driving, watching t.v., adjusting for glare, and much more....

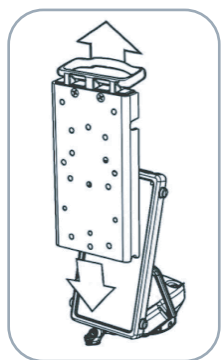
Key Features	Benefits
horizontal dual arm horizontal single arm	safely, easily and independently move the mount out of the way for transfers, table access, and maneuvering in tight areas
friction adjustable joints	adjust per users needs
unique memory lock setters	provides multiple custom operating positions and repeatable positioning
locking levers and arms	one-handed operation
easy-to-use levers	low-effort (less than two pounds); perfect for those with limited strength and/or dexterity
tilt function	enables safer driving, adjusting your device for glare

Testimonials

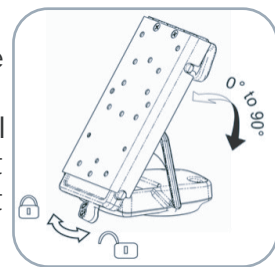
"It's tremendous to have a mount that works so easily and so smoothly in all the different places where AJ and his aides need his device to be. The Mount'n Mover has been such a huge success that we'd like to order another one!" -Evelyn (Mother)

"(The mount) really works great. I can swing the two arms easily to position the camera." – Loren

"The ease of presenting is wonderful. It has dramatically improved my ability to use my communication device. I can reboot my device on my own!" - Gae



quick release plate allows for quick and easy attachment and removal of a wide variety of devices

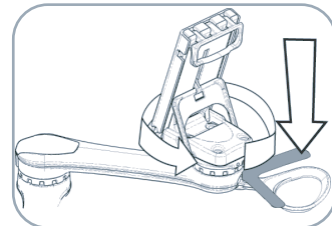


tilt angle adjustment: easy lateral movement unlocks the tilt

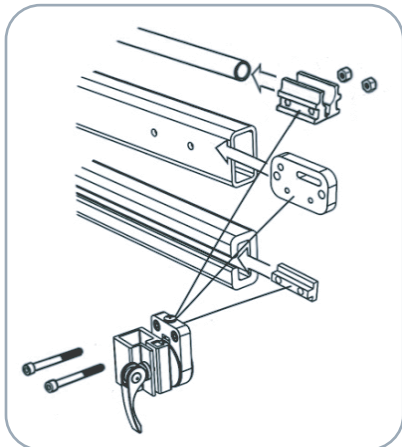
customized, consistent positioning via adjustable memory lock settings

each joint offers up to 12 possible lock positions

paddle unlocks wrist joint so you can easily rotate a tray or device



attachment options



attachment hardware and post lengths address majority of wheelchairs



hoop unlocks both the elbow and shoulder joints so moving between operating positions is easy



Available Through

Australian Distributor:

Technical Solutions Australia

03 9737 9000

www.tecsol.com.au

three innovative designs



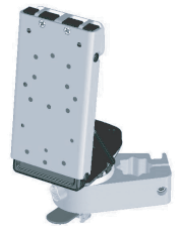
Dual Arm

two moveable arms with locking joints
most flexible positioning
usable with limited reach



Single Arm

one moveable arm with locking joints
lower profile
simpler movement
requires more reach



Tilt'n Turner

locking tilt, 0 to 90 degrees
full rotation, 12 lock positions
great for tables!
perfect for small devices

mounting options | posts | accessories | device plates

- table clamp
- wheelchair bracket
- round clamps
- hole spacing adapter plates
- t-nut for slide track

- 8 inch
- 12 inch
- 18 inch
- 24 inch
- custom lengths

- laptop tray
- 12x16 tray with a lip
- 12x12 square tray
- device rotator
- locking tilt module

device plates available

- PRC
- DynaVox/Tango
- Tobii
- Ablenet
- special orders on request

R&D was supported by Small Business Innovation Research grants
Department of Education/NIDRR Grant # H133S030118
National Institutes of Health/NICHHD, Grant # 2R44 HD51157-02

Designed and Manufactured by BlueSky Designs
2637 27th Ave. South, Suite 209, Minneapolis, MN 55406
For information and support call: 612-724-7002 or toll-free 888-724-7002
websites: www.mountmover.com and www.blueskydesigns.us
e-mail: info@blueskydesigns.us